

Made by

**NEWTEC BAG  
PALLETIZING**



## PALLETIZER SERIES 2500 B

The palletizer series 2500 B covers throughputs from 2,000 to 2,500 bags/hour. This series is particularly dedicated to bag palletizing for building materials.

### Our advantages :

#### ■ Features

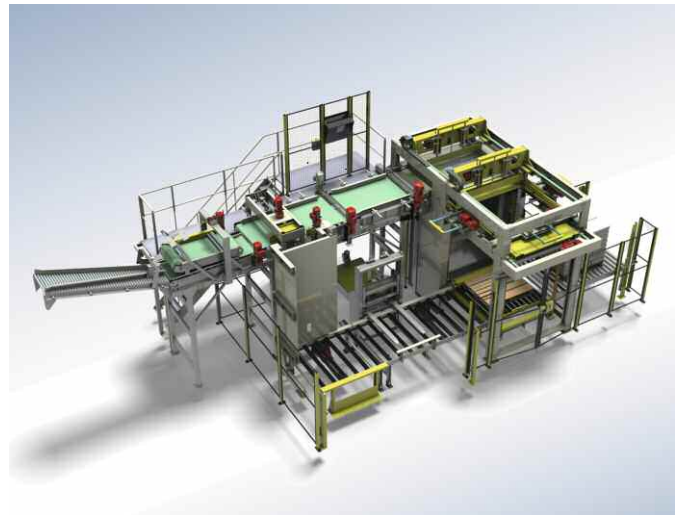
- bag palletizer with layer deposit for high working rate from 2,000 to 2,500 bags/hr
- Bag orientation with turning post
- Conveyor belts equipped with drum motors
- Pre-grouping belt for step-by-step preparation of the bags in row

#### ■ Maintenance

- easy maintenance
- modem or VPN connection
- low maintenance cost

#### ■ Operational

- HMI allows manual operations and modification of all parameters of the machine
- this series can be completed with additional options (pallet press, deposit of PE film, deposit of bottom sheets onto empty pallets or interlayer sheets)



## TECHNICAL DATA

### PRODUCTS

Cement  
Mortar  
Granulates  
Plaster

### CAPACITY

2,000 to 2,500 bags/hr

### BAG TYPE

Paper valve bags  
PE valve bags  
PP valve bags

### BAG WEIGHT

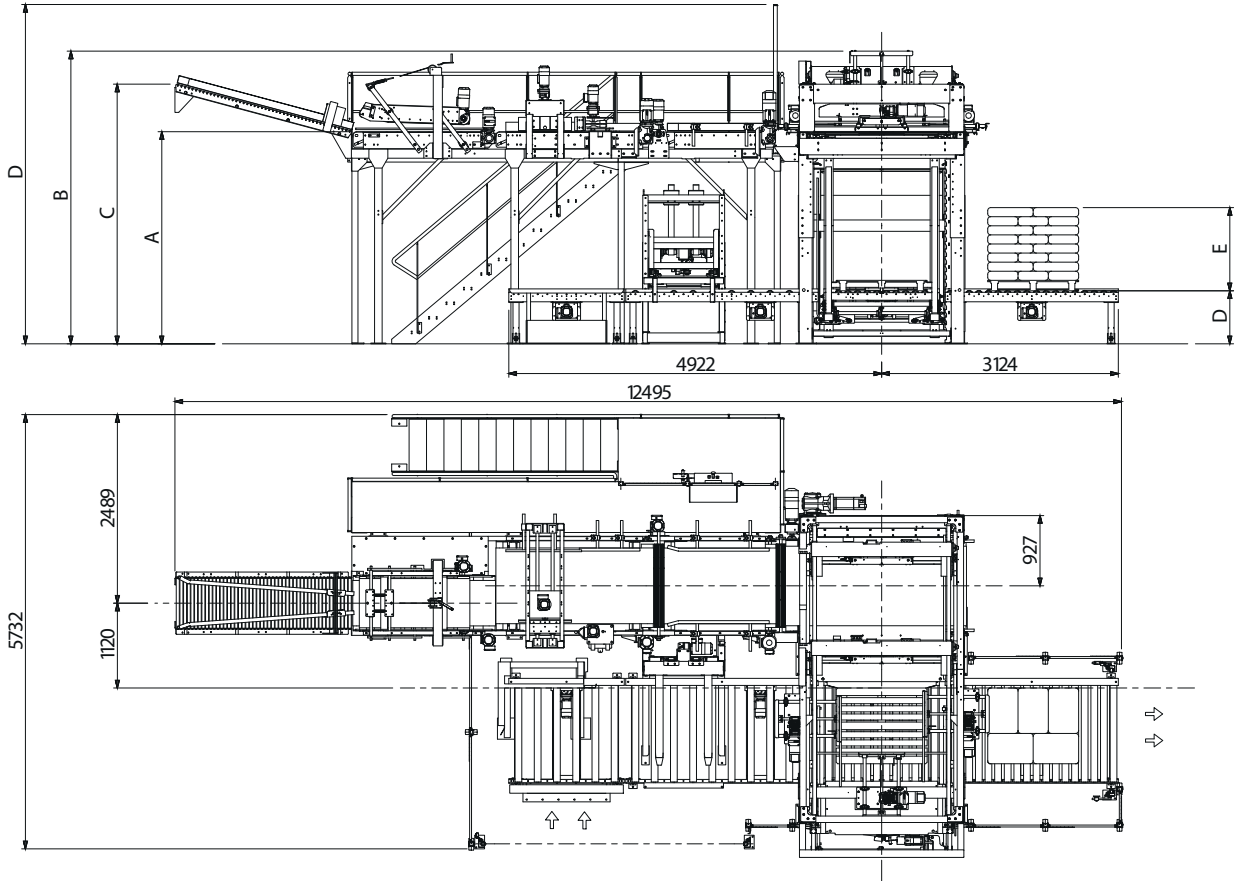
5 to 50 kg

Made by

**NEWTEC BAG  
PALLETIZING**




## PALLETIZER SERIES 2500 B



(Dimensions in mm)

A	B	C	D
2500	3125	3600	4180
2800	3425	3900	4480
3100	3725	4200	4780

		F = 		
E \ A		2500	2800	3100
500		1700	2000	2300
600		1600	1900	2200
700		1500	1800	2100

## TECHNICAL DATA

### ELECTRICITY AND PNEUMATIC

**OPERATING VOLTAGE** 380 V to 460 V/3 Ph  
**FREQUENCY** 50 and 60 Hz  
**CONTROL VOLTAGE** 24 V DC  
**INSTALLED POWER** 35 kW  
**PROTECTION** IP 55

**INSULATION CLASS** F  
**PLC** SIEMENS and ROCKWELL  
**AIR CONSUMPTION** 1 Nm<sup>3</sup>/h  
**INSTRUMENT AIR PRESSURE** 5 to 6 bars